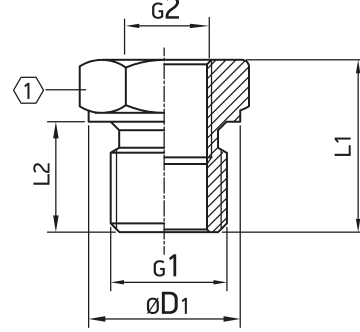


Redüksiyon - BSP/BSP



Diş Ölçüsü Thread		Boyut Ölçüleri (mm) Dimensions in (mm)				
G1	G2	ØD1	L1	L2	①	PN Bar
G1/4"-19	G1/8"-28	19	19	12	19	400
G3/8"-19	G1/8"-28	22	21	12	22	400
G3/8"-19	G1/4"-19	22	21	12	22	400
G1/2"-14	G1/8"-28	27	23	14	27	400
G1/2"-14	G1/4"-19	27	24	14	27	400
G1/2"-14	G3/8"-19	27	24	14	27	315
G3/4"-14	G1/4"-19	32	27	16	32	315
G3/4"-14	G3/8"-19	32	27	16	32	315
G3/4"-14	G1/2"-14	32	27	16	32	315
G1"-11	G1/4"-19	41	29	18	41	315
G1"-11	G3/8"-19	41	29	18	41	315
G1"-11	G1/2"-14	41	29	18	41	315
G1"1/4-11	G1/2"-14	50	32	20	50	315
G1 1/4-11	G3/4 -14	50	32	20	50	315
G1"1/4-11	G1"-11	50	32	20	50	315
G1"1/2-11	G3/8" 19	55	36	22	55	315
G1"1/2-11	G1/2"-14	55	36	22	55	315
G1"1/2-11	G3/4"-14	55	36	22	55	315
G1"1/2-11	G1"-11	55	36	22	55	315
G1"1/2-11	G1"1/4-11	55	36	22	55	315