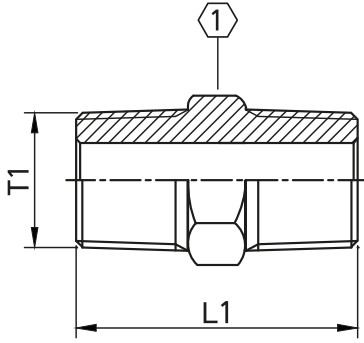


NPT Ara Nipel



Diş Ölçüsü Thread	Boyut Ölçüleri (mm) Dimensions in (mm)			
	T1	L1	①	PN Bar
G1/8"-28	26	12	315	315
G1/4"-19	35	14	315	315
G3/8"-19	35.5	17	315	315
G1/2"-14	44	22	315	315
G3/4"-14	48	27	315	315
G1"-11	59	36	315	315
G1"1/4-11	62	46	315	315
G1"1/2-11	62	50	315	315

